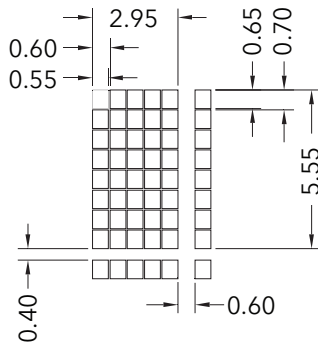
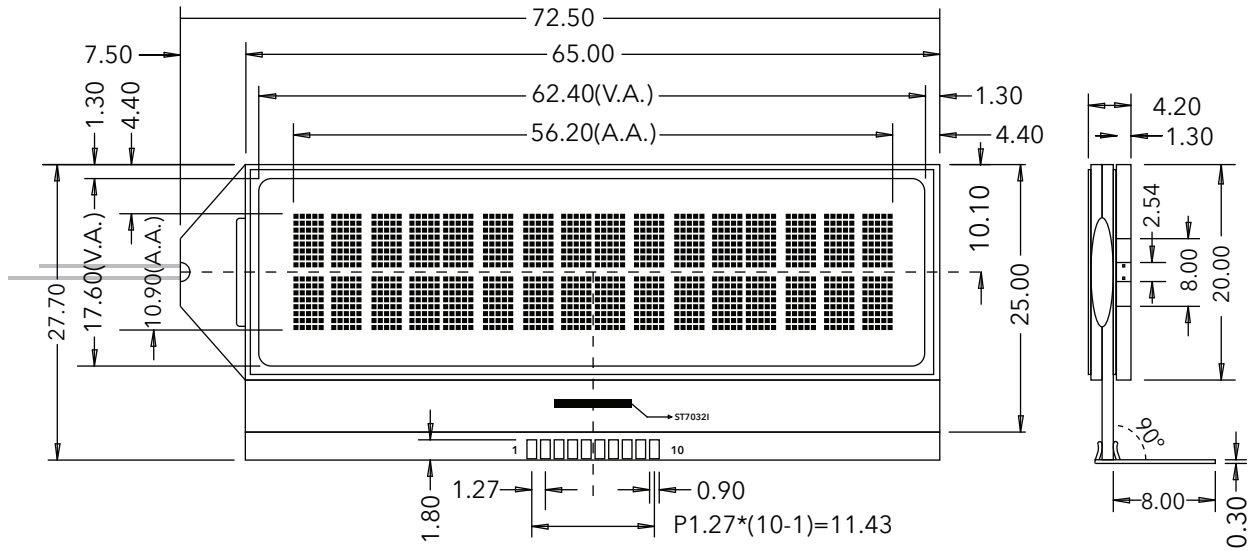
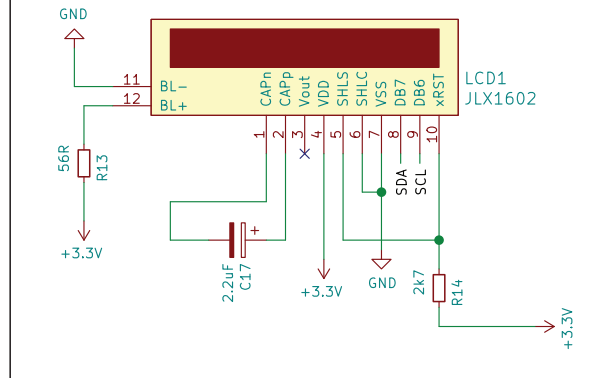


VIEW DIRECTION 12:00



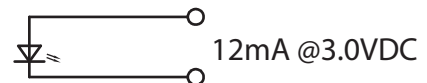
Recommended Application Schematic



PIN	DESC
1	CAP1N
2	CAP1P
3	VOUT
4	VDD
5	SHLS
6	SHLC
7	VSS
8	DB7
9	DB6
10	XRESET

1. COG 16X2 + LED BACKLIGHT + DRIVER IC
2. LCD Voltage +3.3V
3. Storage Temperature -20°C ~ +70°C
4. Operating Temperature -10°C ~ 60°C
5. Pin Terminal 0.9*0.3mm 10pin (LCD) & Ø0.7mm 2Pin(BL)
6. 1/16Duty, 1/5 Bias
7. BL 3.0V ~12mA Cold White
8. ST7032I Driver IC COG
9. I2C Interface (Addr.0x3E(7C))

* All units are mm



P/N: YMSC-C1602G

sales@yaoyulcd.com
www.yaoyulcd.com
0762-6686756

ISO9001 - CN17/30422
ISO14001 - CN17/30423
IATF16949 - CN17/30525