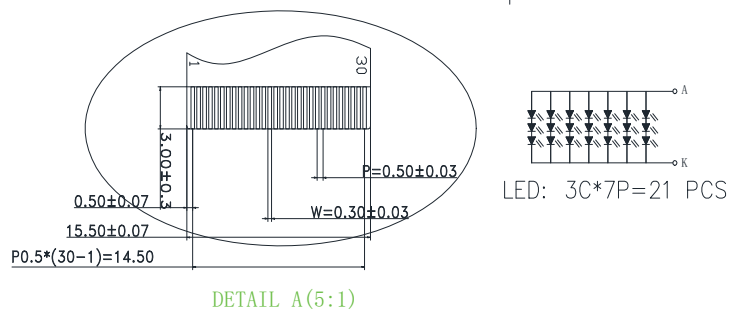


PIN脚	逻辑
PIN30	VCOM
PIN29	VDD
PIN28	VDD
PIN27	LASTB
PIN26	STBIB
PIN25	GND
PIN24	MIPI_T0D0
PIN23	MIPI_T0P0
PIN22	GND
PIN21	MIPI_T0N1
PIN20	MIPI_T0P1
PIN19	GND
PIN18	MIPI_T0N
PIN17	MIPI_T0P
PIN16	GND
PIN15	MIPI_T0D2
PIN14	MIPI_T0P2
PIN13	GND
PIN12	MIPI_T0D3
PIN11	MIPI_T0P3
PIN10	GND
PIN9	LCD-10V
PIN8	LED-
PIN7	LED-
PIN6	SHR
PIN5	UPIN
PIN4	LCD_VGL
PIN3	LCD_VGH
PIN2	LED+
PIN1	LED+



7" TFT Display
 300cd/m²
 1024xRGBx600
 163.8(W)97(H)2.6(D)mm
 Opt. Temp. Range: -10°C +60°C
 View Angle: 85/85/85/85 IPS
 RoHS Compliant
 MIPI

YLT070SBM30AA-A6