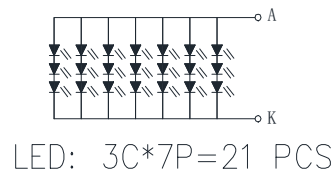
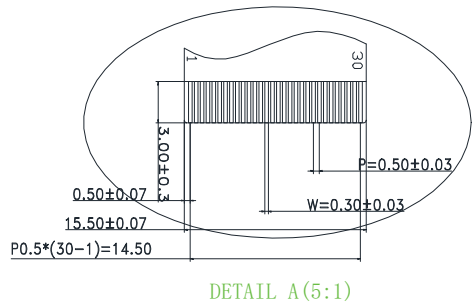


PI100	LED+
PI101	LED+
PI102	LED+
PI103	LED+
PI104	LED+
PI105	LED+
PI106	LED+
PI107	LED+
PI108	LED+
PI109	LED+10V
PI110	GND
PI111	MIPI_TP03
PI112	MIPI_TP03
PI113	GND
PI114	MIPI_TP02
PI115	MIPI_TP02
PI116	GND
PI117	MIPI_TP01
PI118	MIPI_TP01
PI119	GND
PI120	MIPI_TP01
PI121	MIPI_TP01
PI122	GND
PI123	MIPI_TP00
PI124	MIPI_TP00
PI125	GND
PI126	STRB
PI127	STRB
PI128	VDD
PI129	VDD
PI130	VCOM



7" TFT Display
 260cd/m²
 1024xRGBx600
 163.8(W)97(H)2.6(D)mm
 Opt. Temp. Range: -10°C +60°C
 View Angle: 85/85/85/85 IPS
 RoHS Compliant
 MIPI

YLT070SBM30AA-A4